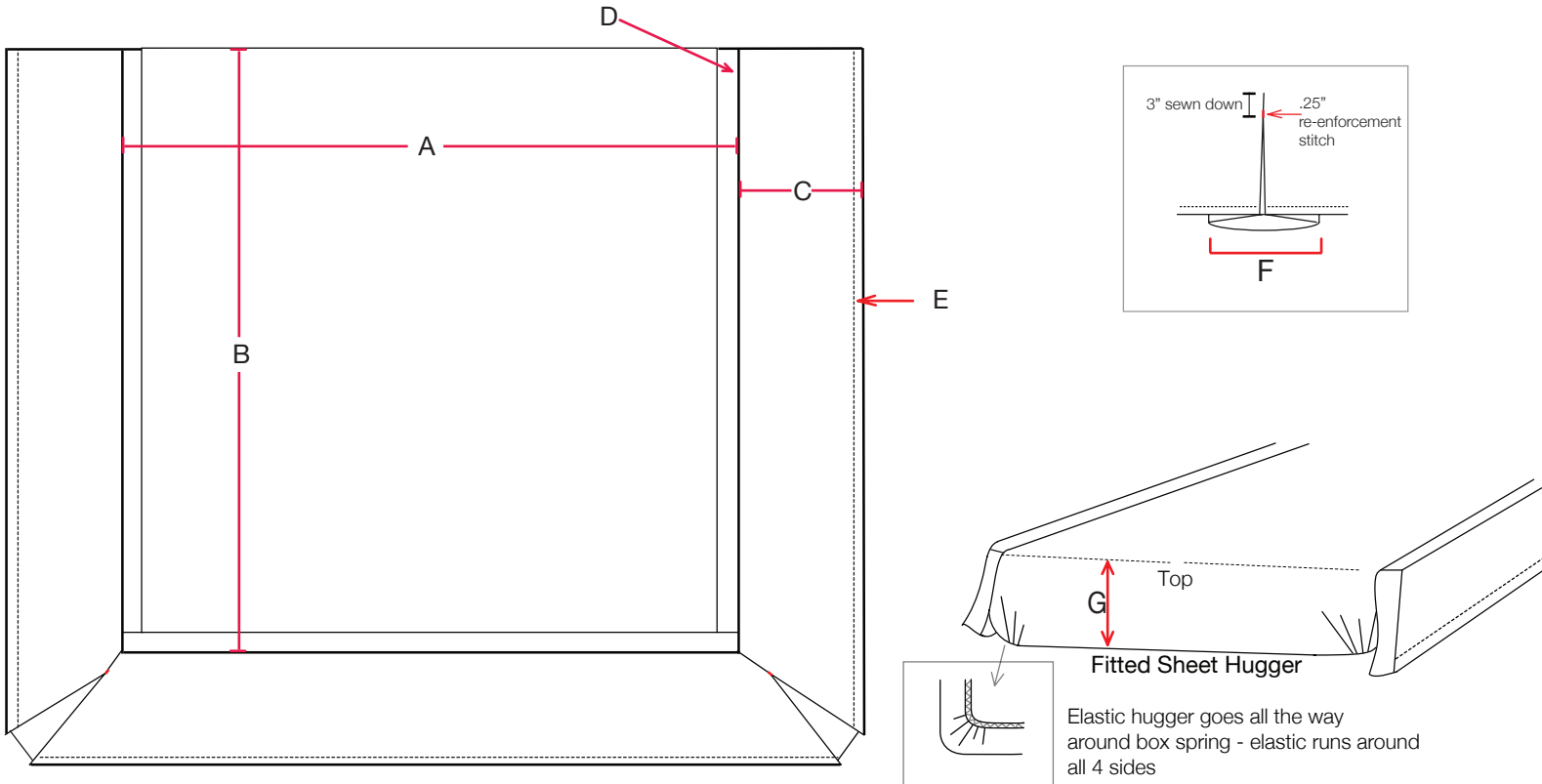


2 Pleat Bed Skirt / Fitted Sheet Hugger Specification Sheet

Project: _____
Customer: _____
PKC Sales Rep: _____



		DOUBLE	QUEEN	KING		
A	Width (inches)					
B	Length (inches)					
C	Drop (inches)					
D	Deck Stripe (inches)					
E	Hem (inches)					
F	Pleat Size (inches)					
G	Hugger Length(inches)					

Drop/Deck Stripe Fabric: _____ Content: _____
 Direction of pattern on drop (if applicable): _____
 FR Requirement for Drop Fabric: _____
 Bed Skirt Lined or Unlined: _____
 Decking/Lining fabric: _____
 FR Requirement for Decking/Lining Fabric: _____
 Hem Stitching: _____ (blindstitched, single needle stitched, etc)
 PKC Standard Pleat is stitched down 3" from top with a .25" re-enforced stitch.
 Pleat: PK Standard _____ Other _____
 Special Instructions: _____