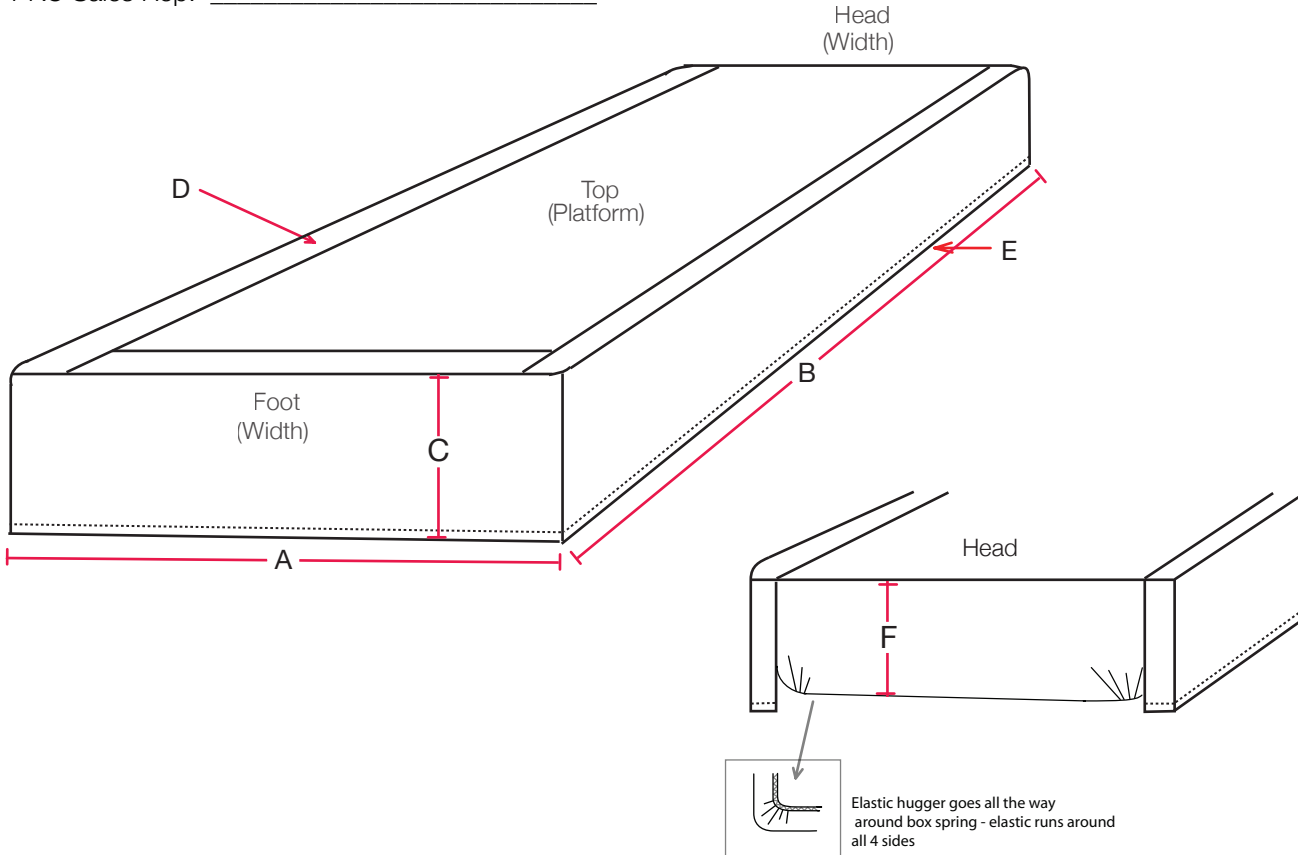


Box Spring Cover with Fitted Sheet Hugger Specification Sheet

Project: _____
Customer: _____
PKC Sales Rep: _____



		DOUBLE	QUEEN	KING		
A	Width (inches)					
B	Length (inches)					
C	Drop (inches)					
D	Deck Stripe (inches)					
E	Hem (inches)					
F	Hugger Length (inches)					

Drop/Deck Stripe Fabric: _____ Content: _____

Direction of pattern on drop (if applicable): _____

FR Requirement for Drop Fabric: _____

Decking/Hugger fabric: _____

FR Requirement for Decking/Hugger Fabric: _____

Hem Stitching: _____ (blindstitched, single needle stitched, etc)

Special Instructions: _____

