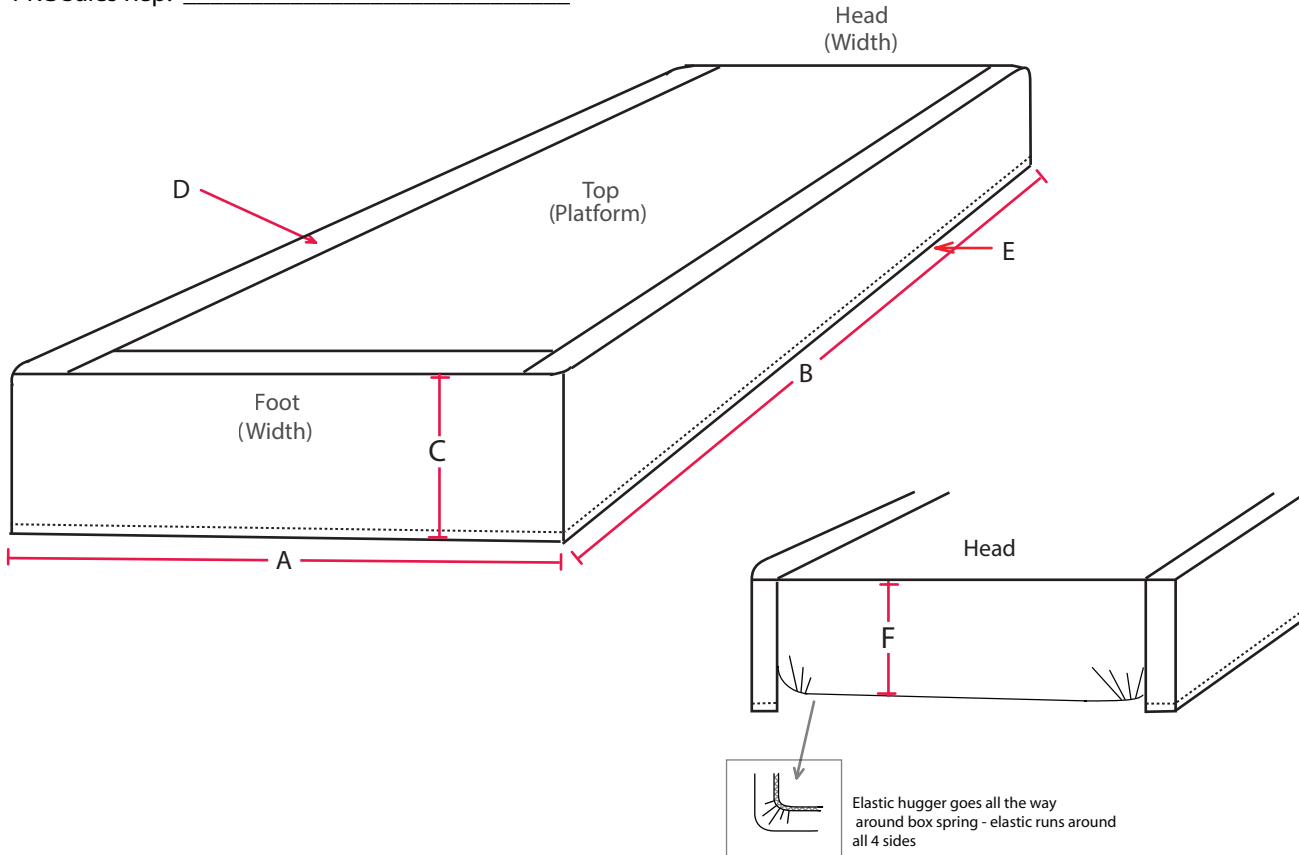


Skugger Specification Sheet

Project: _____
 Customer: _____
 PKC Sales Rep: _____



		DOUBLE	QUEEN	KING		
A	Width (inches)					
B	Length (inches)					
C	Drop (inches)					
D	Deck Stripe (inches)					
E	Hem (inches)					
F	Hugging Length (inches)					

Drop/Deck Stripe Fabric: _____ Content: _____
 Direction of pattern on drop (if applicable): _____
 FR Requirement for Drop Fabric: _____
 Decking/Hugger fabric: _____
 FR Requirement for Decking/Hugger Fabric: _____
 Hem Stitching: _____ (blindstitched, single needle stitched, etc)
 Special Instructions: _____

